

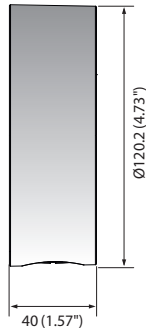
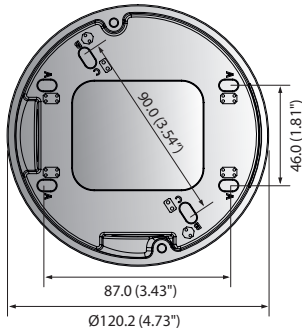
SBV-120GW

Back Box



Dimensions

Unit : mm (inch)



SBV-120GW	
Color / Material	White / Aluminum
Operating Temperature	-50°C~60°C
Operating Humidity	0~100%
Product dimensions / weight	Ø120.2 x 40 mm (Ø4.73 x 1.57\"), 280g (0.62 lb)

* You can find applicable models with accessory selector www.hanwha-security.com/en/products/accessory-selector/
 * The latest product information / specification can be found at hanwha-security.com
 * Design and specifications are subject to change without notice.
 * Wisenet is the proprietary brand of Hanwha Techwin.